

## General Features

- Positive and negative plates in lead-calcium tin alloy.
- Superior energy density
- Operates at a low internal pressure.
- Gas Recombination.
- Low Self Discharge.
- Long Service Life.
- A recognized component of UL.
- Application specific designs.
- Six months shelf life at 20°C.
- Design life 10 years.

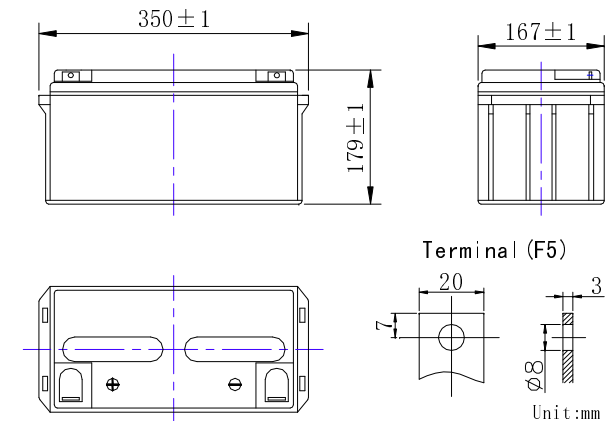


## Dimensions

|                      | Length   | Width    | Height   | Total Height | Approx. Weight |
|----------------------|----------|----------|----------|--------------|----------------|
| <i>SI Units</i>      | 350mm    | 167mm    | 179mm    | 179mm        | 23Kg           |
| <i>English Units</i> | 13.8inch | 6.57inch | 7.05inch | 7.05inch     | 50.7lbs        |

## Performance Characteristics

- Nominal Voltage: 12V
- Number of cell: 6
- Nominal Capacity 77° F(25°C): 20 hour rate (4A, 10.8V) 80Ah  
1 hour rate (54A, 9.6V) 54Ah
- Internal Resistance: Fully Charged battery 77° F(25°C) 5mΩ
- Self-Discharge: 3% of capacity declined per month at 20°C
- Operating Temperature Range: Discharge -20~60°C Charge -10~60°C Storage -20~60°C
- Max. Discharge Current 77° F(25°C): 800A (5S)
- Short Circuit Current: 1850A
- Charge Methods: Constant Voltage Charge 77° F(25°C)  
Cycle use: 14.4 ~ 14.7V Maximum charging current 20A  
Standby use: 13.6 ~ 13.8V





# UN80-12H 12V80Ah

Rechargeable Products Sealed Lead Acid Battery

## Discharge Data

Constant Current Discharge Data(Amperes at 25°C)

| End Voltage<br>Per cell/V | 10min | 15min | 20min | 25min | 30min | 35min | 40min | 45min | 50min | 55min | 1h   | 1.5h | 2h   | 2.5h | 3h   | 4h   | 5h   | 6h   | 7h   | 8h  | 9h  | 10h | 20h  |
|---------------------------|-------|-------|-------|-------|-------|-------|-------|-------|-------|-------|------|------|------|------|------|------|------|------|------|-----|-----|-----|------|
| 1.60                      | 202.0 | 160.0 | 130.0 | 110.0 | 96.0  | 85.0  | 75.5  | 68.5  | 62.5  | 57.8  | 54.0 | 38.0 | 30.0 | 25.4 | 22.3 | 17.7 | 14.9 | 12.5 | 11.1 | 9.9 | 8.9 | 8.1 | 4.25 |
| 1.65                      | 193.0 | 153.0 | 124.0 | 105.0 | 92.0  | 82.0  | 73.0  | 66.5  | 60.8  | 56.3  | 52.7 | 36.9 | 29.0 | 24.7 | 21.7 | 17.2 | 14.5 | 12.3 | 10.9 | 9.7 | 8.8 | 8.0 | 4.20 |
| 1.70                      | 183.0 | 145.0 | 117.0 | 99.0  | 87.0  | 78.0  | 70.0  | 64.0  | 58.8  | 54.5  | 51.2 | 35.7 | 27.9 | 23.9 | 21.0 | 16.6 | 14.0 | 12.0 | 10.6 | 9.5 | 8.7 | 7.9 | 4.15 |
| 1.75                      | 173.0 | 137.0 | 110.0 | 92.5  | 82.0  | 73.5  | 66.5  | 61.0  | 56.3  | 52.5  | 49.5 | 34.4 | 26.8 | 23.1 | 20.3 | 16.0 | 13.5 | 11.6 | 10.3 | 9.3 | 8.5 | 7.8 | 4.10 |
| 1.80                      | 160.0 | 127.0 | 101.0 | 85.0  | 76.0  | 68.5  | 62.0  | 57.0  | 52.8  | 49.5  | 47.0 | 32.9 | 25.6 | 22.2 | 19.5 | 15.3 | 12.9 | 11.1 | 9.9  | 9.0 | 8.3 | 7.6 | 4.00 |

Constant Power Discharge Data(Watts per cell at 25°C)

| End Voltage<br>Per cell/V | 10min | 15min | 20min | 25min | 30min | 35min | 40min | 45min | 50min | 55min | 1h    | 1.5h | 2h   | 2.5h | 3h   | 4h   | 5h   | 6h   | 7h   | 8h   | 9h   | 10h  | 12h  |
|---------------------------|-------|-------|-------|-------|-------|-------|-------|-------|-------|-------|-------|------|------|------|------|------|------|------|------|------|------|------|------|
| 1.60                      | 372.0 | 291.0 | 235.0 | 202.0 | 181.0 | 161.0 | 146.0 | 133.0 | 120.0 | 111.0 | 104.5 | 74.8 | 60.2 | 49.5 | 42.9 | 35.3 | 30.2 | 25.5 | 22.2 | 19.9 | 18.1 | 16.7 | 14.2 |
| 1.65                      | 356.0 | 280.0 | 227.0 | 195.0 | 175.0 | 156.0 | 142.0 | 130.0 | 118.0 | 109.0 | 103.0 | 73.5 | 59.0 | 48.5 | 42.0 | 34.5 | 29.5 | 24.9 | 21.7 | 19.5 | 17.8 | 16.5 | 14.1 |
| 1.70                      | 338.0 | 268.0 | 218.0 | 187.0 | 168.0 | 150.0 | 137.0 | 126.0 | 115.0 | 106.0 | 101.0 | 72.0 | 57.7 | 47.3 | 41.0 | 33.6 | 28.7 | 24.2 | 21.1 | 19.0 | 17.4 | 16.2 | 13.9 |
| 1.75                      | 320.0 | 256.0 | 208.0 | 179.0 | 161.0 | 144.0 | 132.0 | 122.0 | 111.0 | 103.0 | 98.5  | 70.0 | 56.2 | 46.0 | 40.0 | 32.7 | 27.9 | 23.5 | 20.5 | 18.5 | 17.0 | 15.9 | 13.6 |
| 1.80                      | 300.0 | 241.0 | 196.0 | 169.0 | 153.0 | 137.0 | 126.0 | 117.0 | 107.0 | 100.0 | 95.5  | 67.5 | 54.4 | 44.5 | 38.8 | 31.7 | 27.0 | 22.7 | 19.8 | 17.9 | 16.5 | 15.5 | 13.3 |

